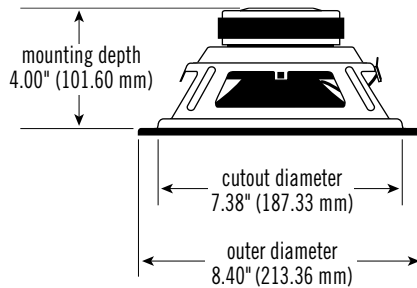


## SPECIFICATIONS

DIAMETER:	8" (213.4 mm)
SENSITIVITY (2.83 V @ 1 m):	93 dB
POWER HANDLING:	100 W <sub>RMS</sub>
FREQUENCY RESPONSE:	30 ~ 300 Hz
NOMINAL IMPEDANCE:	4 OHMS
VOICE-COIL DIAMETER:	1.5" (38.1 mm)

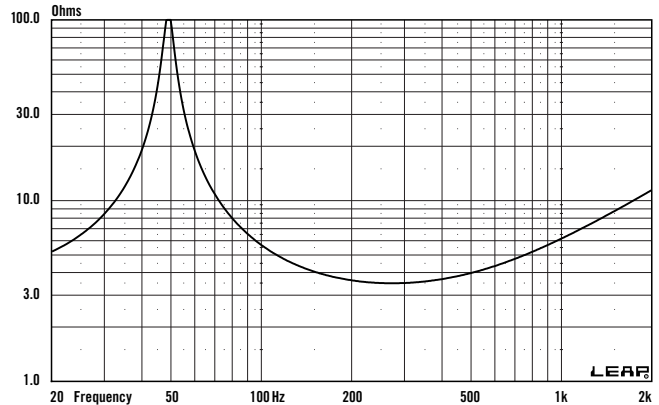
### DIMENSIONS:



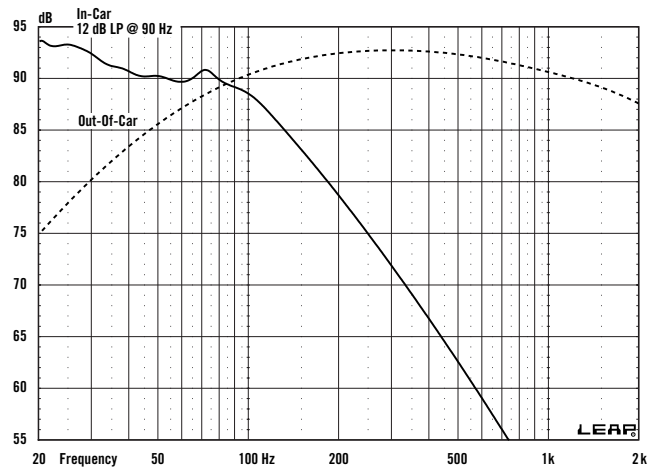
## THIELE-SMALL PARAMETERS

VOICE COIL DC RESISTANCE:	$R_{EVC}$ (OHMS) . . . . .	3.40
VOICE COIL INDUCTANCE @ 1 kHz:	$L_{EVC}$ (MH) . . . . .	0.89
DRIVER RADIATING AREA:	$S_D$ (IN <sup>2</sup> ) . . . . .	32.41
	$S_D$ (CM <sup>2</sup> ) . . . . .	210.00
MOTOR FORCE FACTOR:	$BL$ (TM) . . . . .	8.96
COMPLIANCE VOLUME:	$V_{AS}$ (FT <sup>3</sup> ) . . . . .	0.80
	$V_{AS}$ (LITERS) . . . . .	18.91
SUSPENSION COMPLIANCE:	$C_{MS}$ (μM/N) . . . . .	302.00
MOVING MASS, AIR LOAD:	$M_{MS}$ (GRAMS) . . . . .	34.64
MOVING MASS, DIAPHRAGM:	$M_{MD}$ (GRAMS) . . . . .	32.89
FREE-AIR RESONANCE:	$F_S$ (Hz) . . . . .	49.21
MECHANICAL Q:	$Q_{MS}$ . . . . .	14.34
ELECTRICAL Q:	$Q_{ES}$ . . . . .	0.45
TOTAL Q:	$Q_{TS}$ . . . . .	0.44
MAGNETIC-GAP HEIGHT:	$H_{AG}$ (IN) . . . . .	0.31
	$H_{AG}$ (MM) . . . . .	8.00
VOICE-COIL HEIGHT:	$H_{VC}$ (IN) . . . . .	0.59
	$H_{VC}$ (MM) . . . . .	15.00
MAXIMUM EXCURSION:	$X_{MAX}$ (IN) . . . . .	0.14
	$X_{MAX}$ (MM) . . . . .	3.50

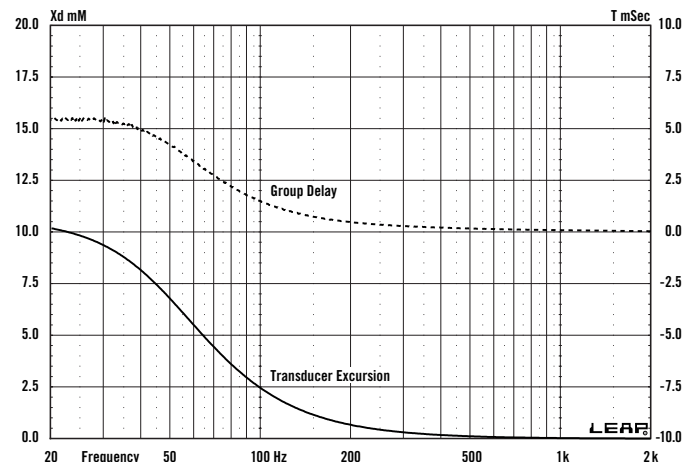
## IMPEDANCE CURVE



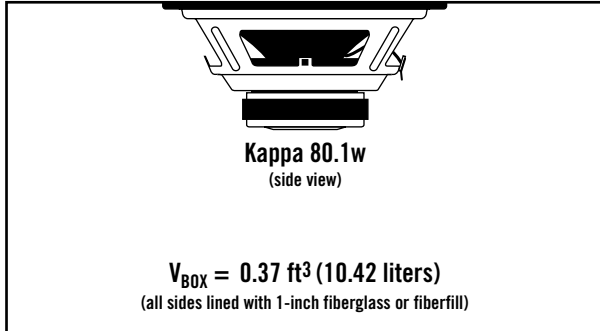
## INFINITE BAFFLE FREQUENCY RESPONSE @ 2.83 V



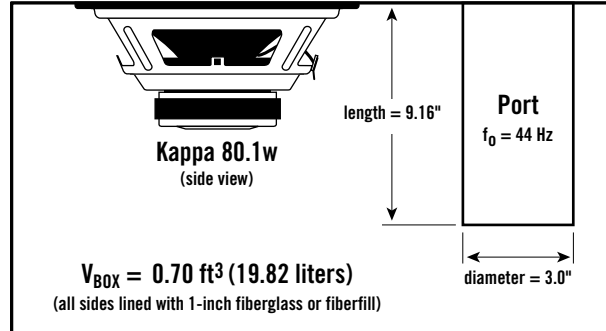
## INFINITE BAFFLE EXCURSION/GROUP DELAY @ 50 W



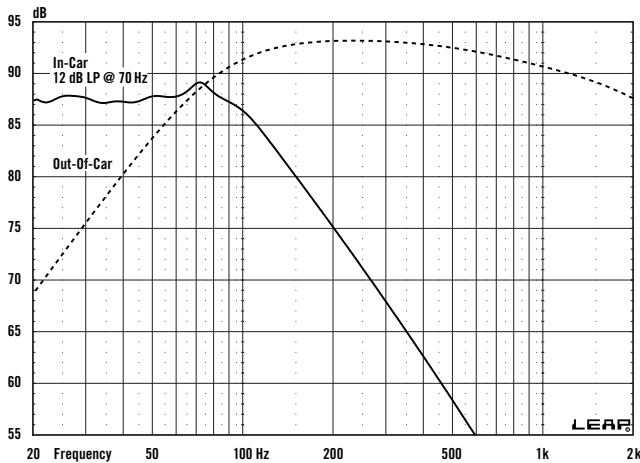
## SEALED BOX VOLUME



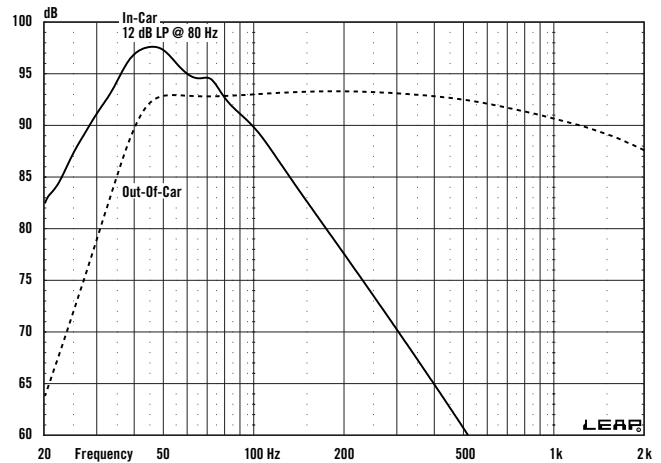
## VENTED BOX VOLUME



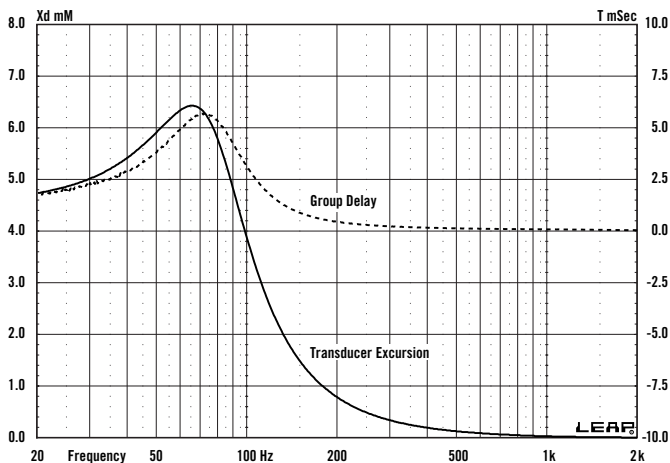
## SEALED FREQUENCY RESPONSE @ 2.83 V



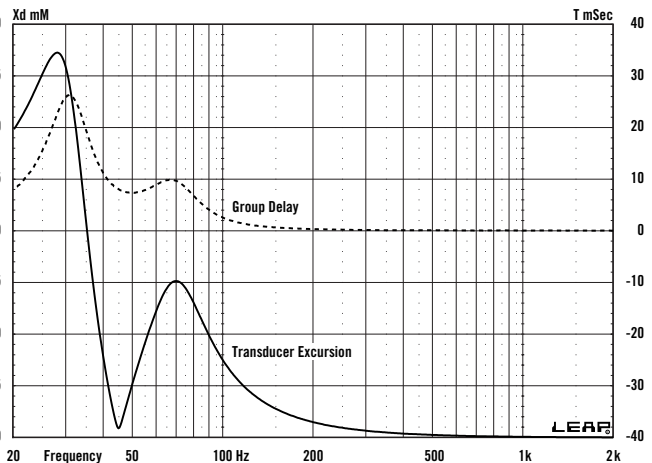
## VENTED FREQUENCY RESPONSE @ 2.83 V



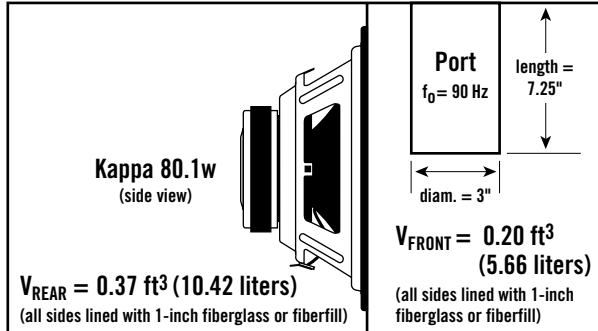
## SEALED EXCURSION/GROUP DELAY @ 100 W



## VENTED EXCURSION/GROUP DELAY @ 150 W

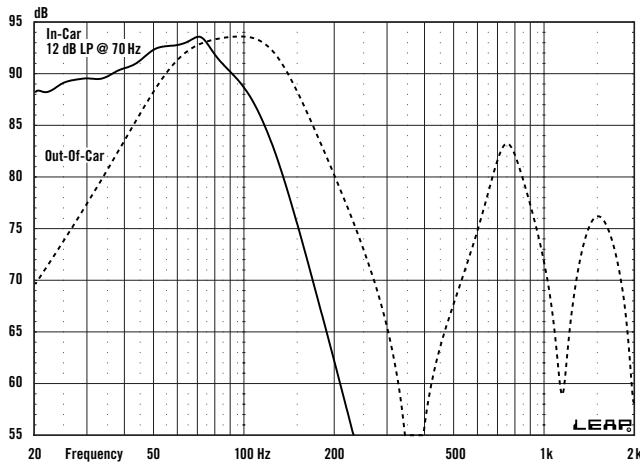


## SEALED BANDPASS BOX VOLUME



## NOTES

## SEALED BANDPASS FREQUENCY RESPONSE @ 2.83 V



## SEALED BANDPASS EXCURSION/GROUP DELAY @ 100 W

